



WWB10G



BREW

10-Gallon Hot Water Dispenser

10-Gallon Hot Water Dispenser



MAIN FEATURES

- Digital controls and LCD display for ease of operation
- Precise temperature control and accuracy
- Automatic water refill or pour-over capability
- Heat 10 gallons in 3 hours
- All-stainless steel construction
- Tomlinson® No-Drip® tap operation*
- Set night-mode feature to automatically start heating overnight, so water is hot when you need it
- Knuckle guard for safe operation during dispensing
- Features adjustable legs to set height to the proper level for your space or container
- Limited One Year Warranty

*Tomlinson®, No-Drip® and the Faucet and Handle configurations are registered trademarks of The Meyer Company, Cleveland, OH

ELECTRICAL

Voltage: 120

Frequency: 60Hz

Watts: 1800

Amps: 20

Plug Type: NEMA 5-20P



Cord Length: 3.5 feet



SALES FEATURES

The large capacity ensures you have hot water just when you need it. Operates with automatic water refill or pour-over capability. Pour-over/manual fill provides portability, perfect for off-site events, catering and banquets. Set the night-mode energy-saving feature to automatically start heating during non-business hours, so water is hot when you need it.



@waringcommercial

©2019 Waring Commercial
314 Ella T. Grasso Avenue, Torrington, CT 06790
Tel. 800-492-7464 • Fax 860-496-9008

waringcommercialproducts.com

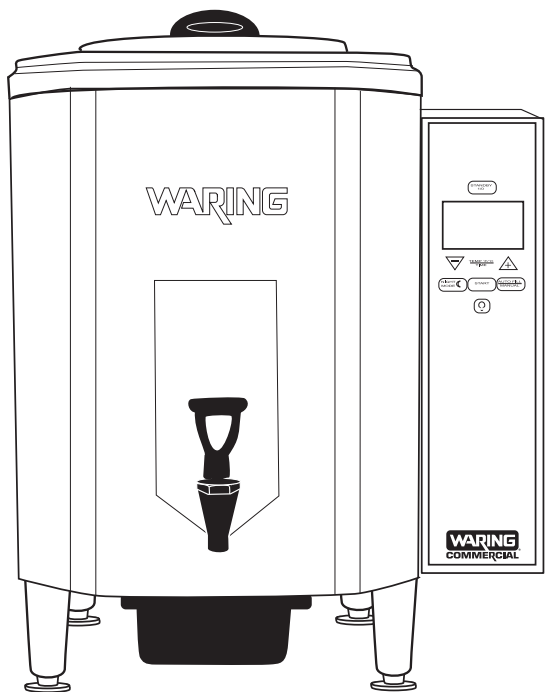
WWB10G



10-Gallon Hot Water Dispenser WWB10G

DIMENSIONS

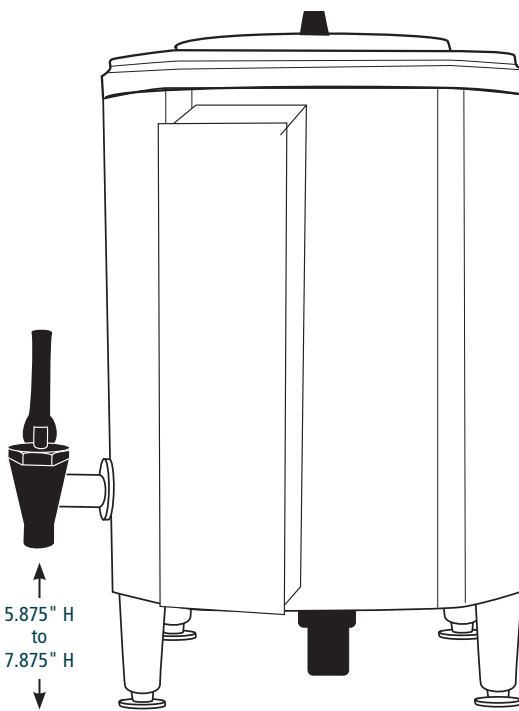
18.5" W



14" W

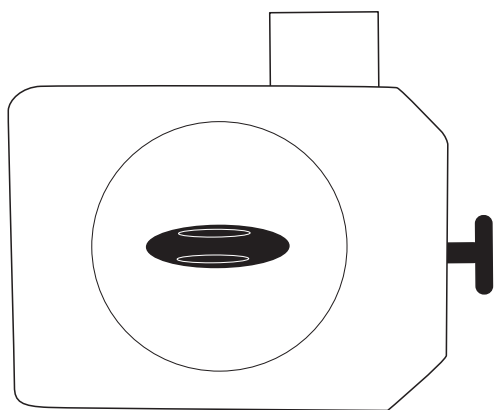
23.5" H
to
25.5" H

16.75" D



5.875" H
to
7.875" H

19.5" D



18.5" W

14" W

19.5" D

Water inlet valve (not shown) – 3/4-inch GHT

Out-of-Box Weight: 34.5 lb. (empty), 136 lb. (full)

| ORDERING INFORMATION | #STD. PKG. | GIFTBOX WEIGHT | CUBIC FEET | BOX DIMENSIONS D X W X H | UPC | CASE PKG. | MC WEIGHT | MC DIMENSIONS D X W X H | MBC |
|--|------------|----------------|------------|--------------------------|--------------|-----------|-----------|-------------------------|----------------|
| WWB10G – 10-Gallon Hot Water Dispenser | 1 | 40 | 6.296 | 21.5" x 22" x 23" | 040072068645 | 1 | 40 | 21.5" x 22" x 23" | 10040072068642 |



@waringcommercial

©2019 Waring Commercial
314 Ella T. Grasso Avenue, Torrington, CT 06790
Tel. 800-492-7464 • Fax 860-496-9008

waringcommercialproducts.com

19WC059772 / REV 04/19